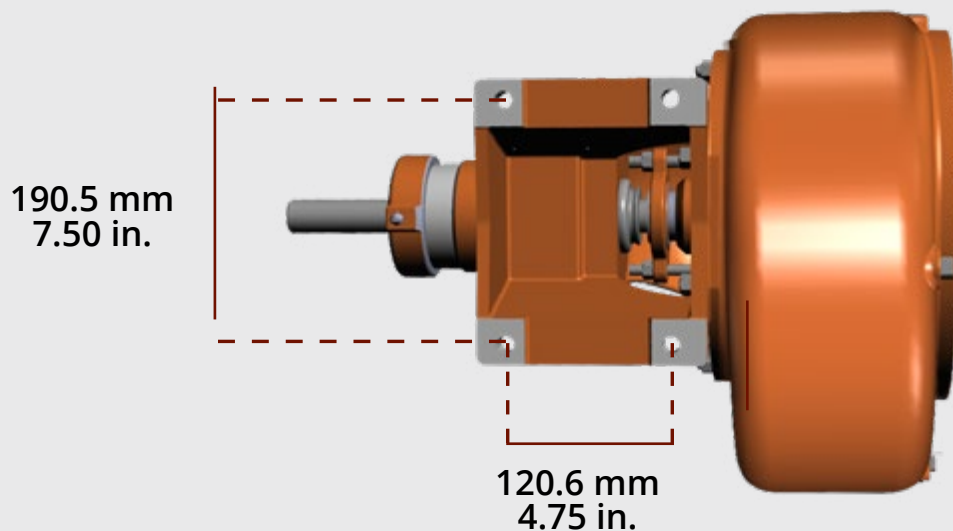


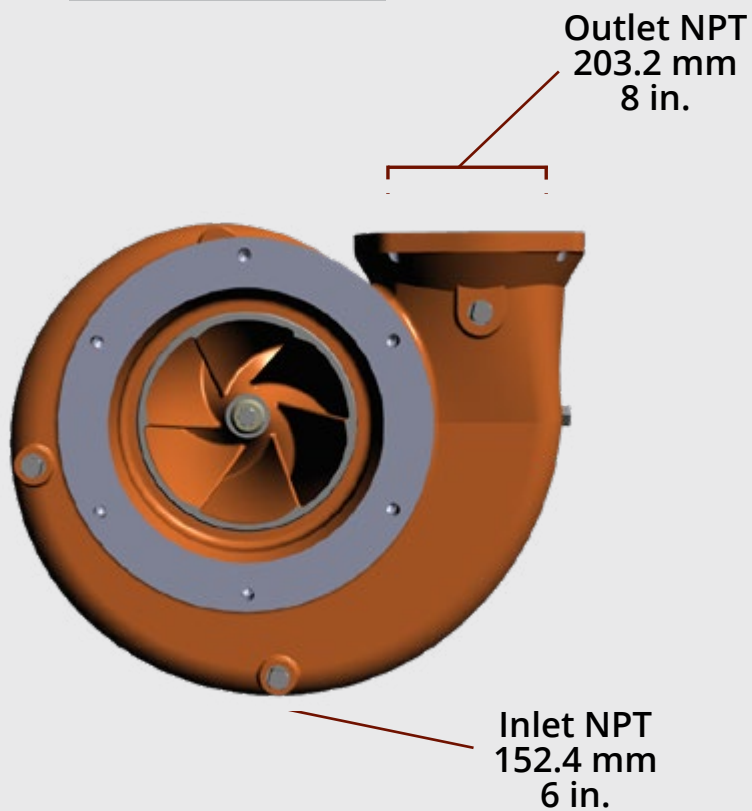
B-6Z Basic Dimensions

Please contact Parts Sales at 1-800-345-8889
for more dimensional information on our B-6Z water pump.

Footprint/ Bottom



Volute View



B-6Z Berkeley Pump Performance Curve



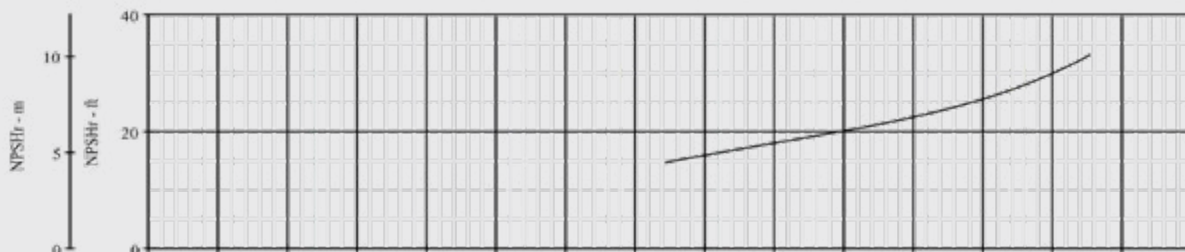
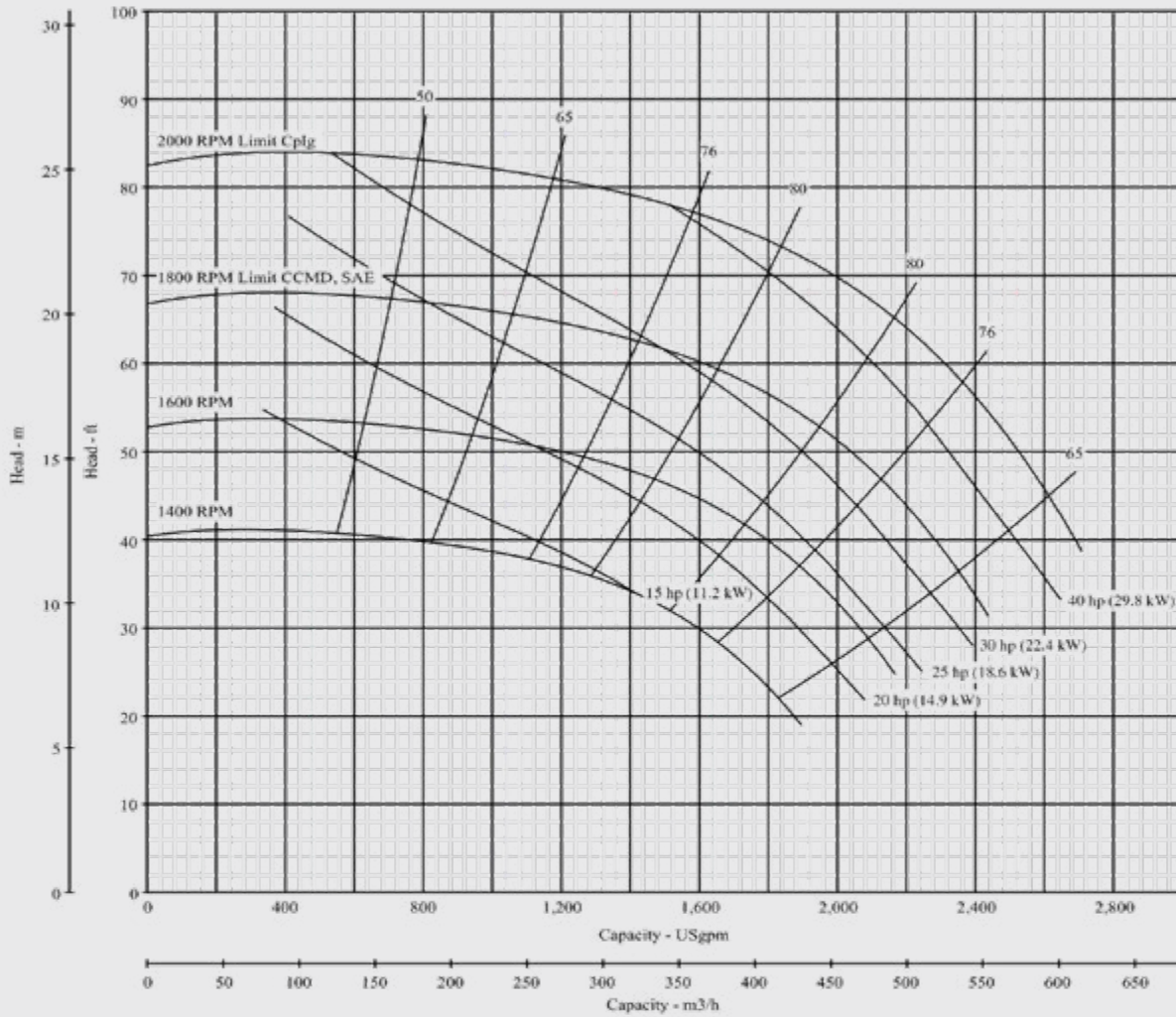
B-6Z Keyed Shaft, CW
300048



B-6Z Splined Shaft, CW
302565

Dia. 9.00"

Nominal RPM: **VARIOUS**
Based on Fresh Water @ 68°F (20°C)
Maximum Working Pressure: 266 PSI (18 BAR)



*NPSH data shown is at maximum speed